

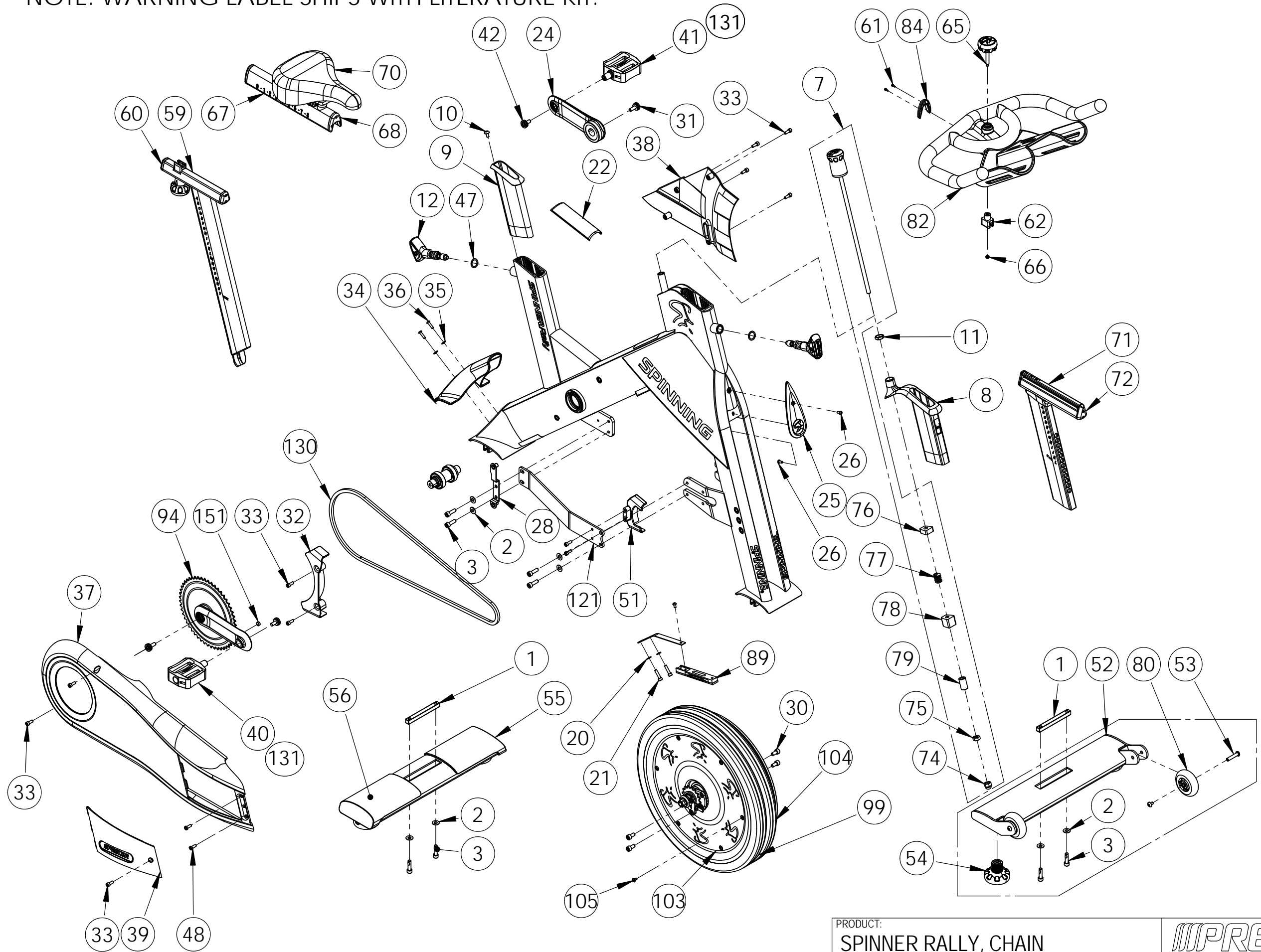
NOTE: WARNING LABEL SHIPS WITH LITERATURE KIT.

4

3

2

1



PRODUCT:
SPINNER RALLY, CHAIN



DRWN BY	3/8/16	FT	SIZE
CS	2/25/16	FCM	A

PAGE	1 OF 1
------	--------

DWG. NO.	304246-101	SUBREV	A03
----------	------------	--------	-----

DRAWING TEMPLATE REV: C

Bubble#	OEM Number	Description
1	PPPFT0039061900000	FIXED, LEG
2	PPPFT0006033008500	WASHER, D19XD8.5X1.2T, SS304
3	PPP00FT64910080465	HEX BOLT, M8X1.25X20L, SCM435, E-CO
7	PPPFT0039042400000	ADJUST KNOB ASSY.
8	PPPFT0039061600000	SLEEVE-HANDLEBAR POST
9	PPPFT0039061601000	SLEEVE-SEAT POST
10	PPPFT0064910060206	HEX BOLT, M6X1.0X12L, SS304
11	PPPFT0039062404000	NUT, SLEEVE-HB POST, 21X6, SS304
12	PPPFT0039041602000	POP PIN ASSY
14	PPPFT0066750550007	C-RING, NO. 55
15	PPPFT0039062001000	B/B AXLE
17	PPP00FT39062003010	B/B AXLE NUT, E-COAT
18	PPPFT0039062002000	B/B AXLE SPACER
19	PPPFT0039062201000	BLOCK SHAFT, CRANK
20	PPPFT0060330064036	WASHER, D12XD6.4X1.5T, SS304
21	PPPFT0064910060216	HEX BOLT, M6X1.0X25L, SS304
22	PPP00FT39023404000	STEP THROUGH WITH ADHESIVE BACKING
24	PPPFT3906220000089	CRANK, LEFT, COATING
25	PPPFT0039063400000	FENDER
28	PPPFT0039062851000	FIXED PLATE, RING, FINGERGUARD
30	PPPFT0006491008007	HEX BOLT, M8X1.25X16L, SCM435
31	PPPFT0039062208000	BOLT, CRANK, M8X1.25X20L, SCM435
32	PPP00FT39063452000	REAR FINGERGUARD, ADDITIONAL CLEARA
33	PPPFT0064910060136	BUTTON HEAD SCREW, M6X1.0X16L, SS30
34	PPP00FT39063407000	STRETCH PAD
35	PPPFT0060330055016	WASHER, D13XD5.5DX1T, SS304
36	PPPFT0006591005022	BUTTON HEAD SCREW, M5X0.8X20L, SS30
37	PPPFT0039063402000	CHAIN GUARD (OUTSIDE)-PAINTING
38	PPPFT0039063403000	CHAIN GUARD (INSIDE)
42	PPPFT0039062204000	BOLT, CRANK, M8X1.25X16L, SCM435
45	PPPFT3903170000030	FRONT LEG COATING.

Bubble#	OEM Number	Description
47	PPPFT0039061605000	WASHER, D24.5XD18.5X1.2T, SS304
48	PPPFT0066410060000	HEX SCREW, M6X1.0X16L, SS304
51	PPP00FT39062804200	FIXED,ADJUST BOLT,FLYWHEEL, ED COAT
52	PPPFT0039041700000	FRONT LEG ASSY.
53	PPPFT0039061705000	BOLT, WHEEL, D8X39, SS304
54	PPPFT0039061706000	FOOT ASSY.
55	PPPFT0039041800000	REAR LEG ASSY.
56	PPPFT0039061801000	END CAP, REAR LEG
57	PPPFT0006591005009	BUTTON HEAD CAP SCREW, M5X0.8X12L,
59	PPPFT0039031400000	SEAT POST-ANDOIZING
60	PPPFT0039061404000	END CAP-FIXED SHAFT, SEAT
61	PPPFT0064910030036	HEX BOLT, M3X0.5X8L, SS304
62	PPPFT0039061309000	FIXED BLOCK
63	PPPFT0039061402000	CUSHION, SEAT POST
64	PPPFT0066210040050	SCREW, VESSEL HEAD SELF TAPPING
67	PPP00FT39031502000	SEAT SLIDE, ANDOIZED, LONGER STEM
68	PPPFT0039061502000	END CAP-SEAT SLIDER, SEAT
69	PPPFT0039061503000	INSERT, 14.8X2.5TX310, HDPE
70	PPP00FT39061504010	SEAT
71	PPP00FT39031101000	HANDLE BAR POST, ANODIZED
72	PPPFT0039061102000	END CAP, FIXED HANDLE BAR POST
74	PPPFT0006742010000	.AP NUT, M10X1.5X18, SS304
75	PPPFT0006542010000	HEX NUT, M10X1.5X8T, SS304
76	PPPFT0039062401000	CUSHION, ADJUST KNOB
77	PPPFT0003116190200	SPRING, ADJUST BOLT, 18.29X13.49X
78	PPPFT0039062402000	NUT, ADJUST BOLT, 30X27.2X25
79	PPPFT0039062405000	SPACER, D18X31, NL + 15GF
80	PPPFT0003564200300	WHEEL ASSEMBLY
82	PPP00FT39021202000	BOXED, HANDLEBAR ASSY-PVC
83	PPPFT0039041300000	ADJUST, HB, ASSY

Bubble#	OEM Number	Description
84	PPPFT0039061301000	END CAP-ADJUST SHAFT, SEAT.
85	PPPFT0039061302000	INSERT
86	PPPFT0006641008001	HEX BOLT, M8X1, SS304
89	PPP00FT39042501000	BRAKE PAD SET
94	PPPFT3906220900089	CRANK, RIGHT, CHAIN DRIVE, COATING
97	PPPFT0006491008029	HEX BOLT, M8X1.25X30L, SS304
99	PPP00FT39022350000	BOXED, FLYWHEEL, CHAIN, ASSY
103	PPPFT0039062306000	CAP, FLYWHEEL-RIGHT, PRINT
104	PPPFT0039062305000	CAP, FLYWHEEL-LEFT-PRINT
108	PPPFT0039062310000	SPACER, AXLE
110	PPP00FT60330130025	WASHER, D23.8XD12.5X2.5T, S41, E-CO
111	PPP00FT69220120025	NL, FLANGE, HEX, M12X1.25, SS41, E-
130	PPPFT0039062205000	CHAIN
131	PPPFT0003016162200	TOE STRAP
151	PPP00FT39062221000	9.5X2.5MM MAGNET
152	PPP00FT39062220000	10X5MM MAGNET
190	PPP000000058232101	CS KIT, SPINNER SEAT SLIDE REPAIR
191	PPP00FT39062004000	COVER, BB
200	PPP00FT39049000000	HARDWARE KIT, SPINNER RALLY
201	PPPFT0006612006001	NUT, M6X1.0, S45C NL
202	PPPFT0060330064061	WASHER, D15X6.4X1.6T, SS41
801	PPP000000304021101	LABEL, WARNING, ENGLISH, SBK